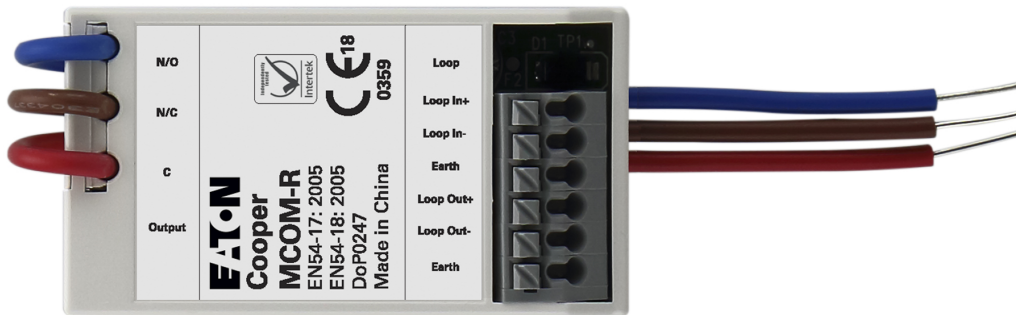


# MCOM

## Micro Single Channel Output Units



An extensive range of micro interfaces are available to support our range of control panels, providing solutions for most design requirements.

The MCOM is a single output, soft addressed, micro interface, incorporating integral short circuit isolators. It is extremely compact and therefore ideal for incorporation into other equipment.

The MCOM is fully compatible with the current range of Eaton intelligent addressable fire control panels.

It is suitable for switching low voltage (24V dc at 1A maximum), via a set of non latching relay contacts.

It is suitable for switching HVAC control circuits, plant shutdown control circuits, fire door closure etc.

### Optional Variants

The (MCOM-R) gives a 5 second pulse on reset, and is used for connecting/resetting beam detectors.

The (MCOM-S) is identified by the panel as a sounder and does not reset when put into 'silence' mode, only resets once panel has been reset.

The (MCOM-FC) is identified by the panel as sounder and will activate from its associate cause and effect programming. It will reset from a global reset not a global silence command. Suitable for use with fan controller devices for smoke management.

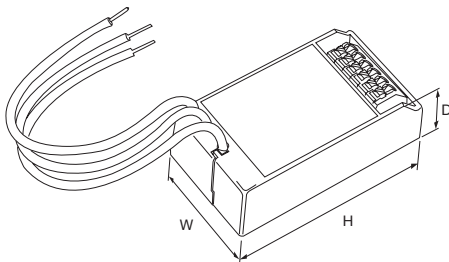
### Benefits

- Quick and simple to install
- Compact size
- Soft Addressed
- Integral short circuit isolator
- Plug and play, no hard addressing required
- No external short circuit isolator required

## Technical Specification

Code	MCOM, MCOM-S, MCOM-R, MCOM-FC
Description	Micro single channel output unit
Standards	EN54 Pt17 & Pt18
<b>Specification</b>	
Operating Voltage	18.5V dc to 30V dc
Quiescent Current	310µA
Output Relay	
Switching Voltage	24V dc to 30V dc
Contact Rating	1A
Switching Power	30 Watts
<b>Environmental</b>	
Operating temperature	-10°C to +60°C
Humidity (non condensing)	0 to 95% RH
<b>Physical</b>	
Construction	PC/ABS
Dimensions (H x W x D)	63mm x 35mm x 18.5mm
Weight	0.078kg
<b>Compatibility</b>	
Suitable for use with	Eaton Intelligent addressable fire systems
Recommended loop/cable type	Fire Tuff, FP200, MICC

## Dimensions



H (mm)	W (mm)	D (mm)
63	35	18.5

## Catalogue numbers

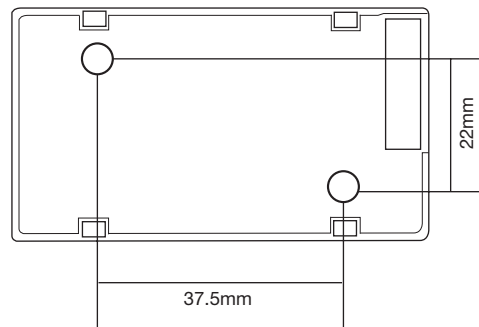
Description	Code
Micro single channel output unit (recognised as output unit)	MCOM
Micro single channel output unit (recognised as sounder)	MCOM-S
Micro single channel output unit (5 second reset pulse)	MCOM-R
Micro single channel output unit (fan controller output unit)	MCOM-FC
Mini module box unit (empty box)	ULBU

## Installation

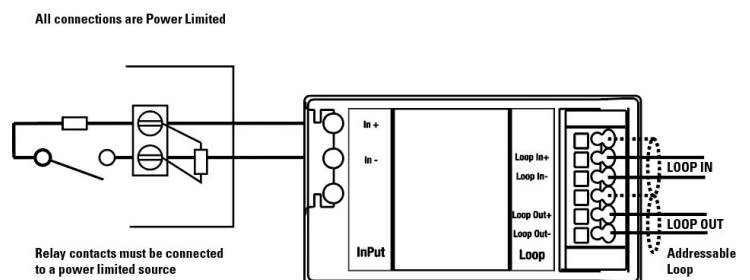
1. Suitable for switching 24V dc control circuits (fire door retainers etc).
2. Connections suitable for single strand fireproof cable up to 2.5mm<sup>2</sup>.
3. Loop and output cable screen must be connected to interface earth terminals.
4. The relay output is a set of change over, non-latching, volt free contacts which are non monitored.

Note: No addressing of the interface is required (see control panel operation for details)

## Mounting Details



## Standard Connections



Eaton  
Electrical Sector EMEA Route de la  
Longeraie 7  
1110 Morges, Switzerland

Eaton  
**Fire Systems Business**  
Eaton Electrical Systems Ltd  
Wheatley Hall Road Doncaster  
South Yorkshire  
DN2 4NB  
United Kingdom

Tel: +44 (0)1302 303 999  
Fax: +44 (0)1302 303 333  
Email: FireCustomerService@eaton.com  
Web: www.eaton.com/gb

© 2019 Eaton  
All Rights Reserved  
Pub Reference: FDS025  
April 2019

Changes to the products, to the information contained in this document, and to prices are reserved; so are errors and omissions. Only order confirmations and technical documentation by Eaton is binding. Photos and pictures also do not warrant a specific layout or functionality. Their use in whatever form is subject to prior approval by Eaton. The same applies to Trademarks. The Terms and Conditions of Eaton apply, as referenced on Eaton Internet pages and Eaton order confirmations.

Eaton is a registered trademark.  
All other trademarks are property of their respective owners.